

**CALSIPP 10TH ANNUAL CONFERENCE**  
**OCTOBER 25-27, 2019**  
Resort at Squaw Creek | [WWW.CALSIPP.COM](http://WWW.CALSIPP.COM)



**AGENDA GUIDE**  
OCTOBER 25-27, 2019  
RESORT AT SQUAW CREEK  
SQUAW VALLEY, LAKE TAHOE, CA

Welcome to beautiful Lake Tahoe, home of your 10th CalSIPP Annual meeting. We are located this fall at Squaw Creek Resort, at the base of Snow King, KT-22, Emigrant, Squaw Peak and Granite Chief. Looking up at these peaks from our site is like looking at the future of pain medicine. The heights are great, and yes, there will be obstacles to overcome.

We have world-renowned faculty with diverse backgrounds all making major contributions to interventional pain management. Our agenda highlights the innovation and investment in our field distancing ourselves from the American opioid epidemic. During the plenary, we take on the challenging issues that plague us in our practices, our reimbursement, and our patient care. CalSIPP is collaborating with our neighbors along the West Coast. We are proud to have individual SIPP breakout sessions to promote teamwork and policy development on Saturday evening.

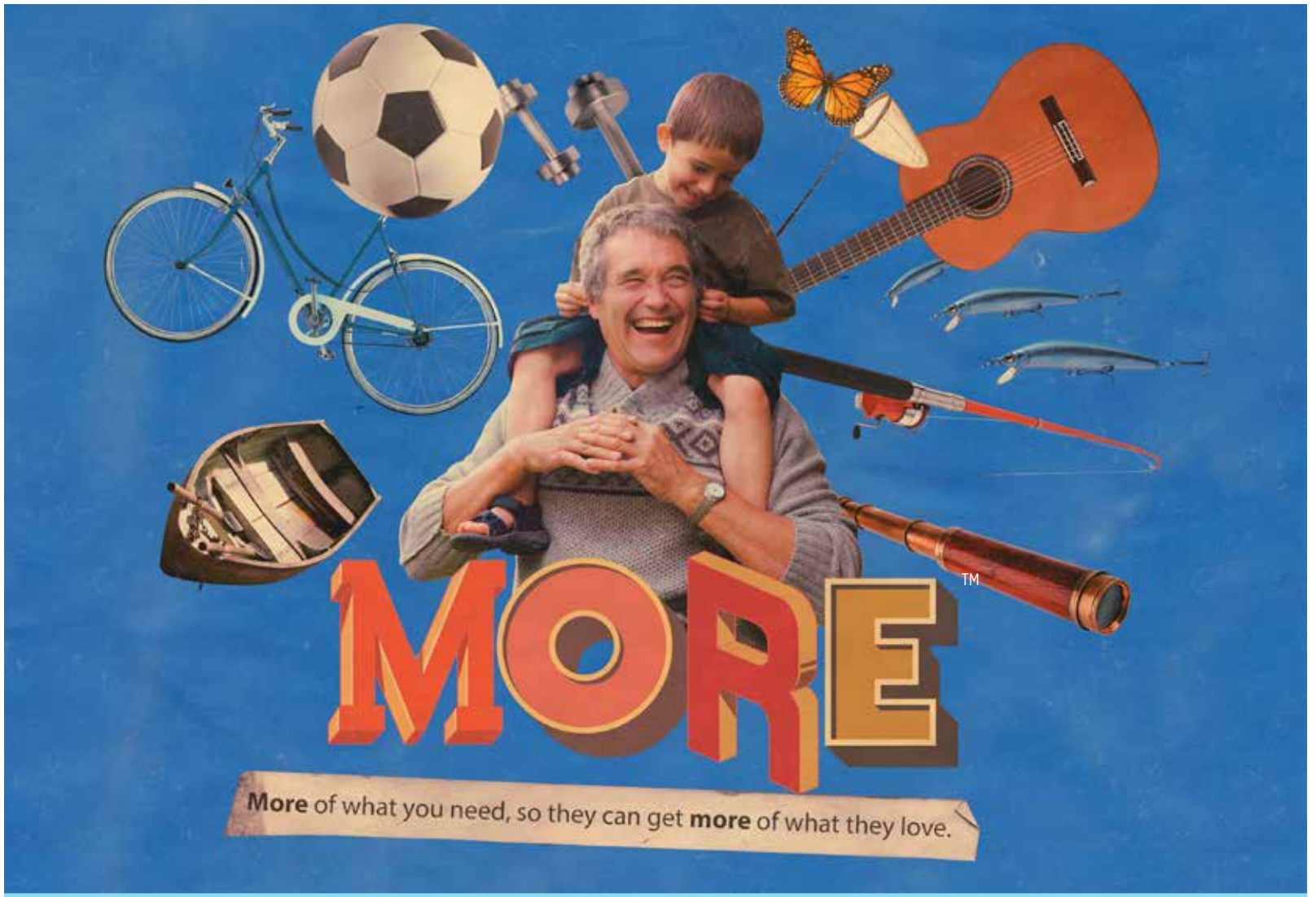
When you want a break, breathe the mountain air, go for a hike, enjoy some California wine. We have plenty of events all weekend to keep things fun, but you can always find a place to find your own solitude.

We understand that you have the opportunity to choose among many different international conferences in our field, and you have made the decision to come to our CalSIPP Annual Meeting. We cannot thank you enough for choosing us and we will do our best to make that decision worthwhile. Our goal is to keep the agenda inspirational and to reach out to as large of an audience as possible that aims to reduce the suffering of humans.

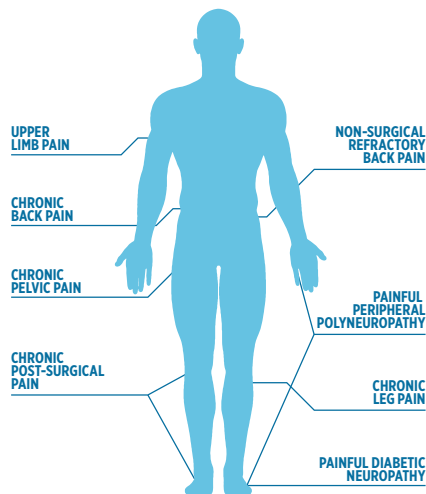
With warm regards,

Eric Lee, MD and Ramo Naidu, MD

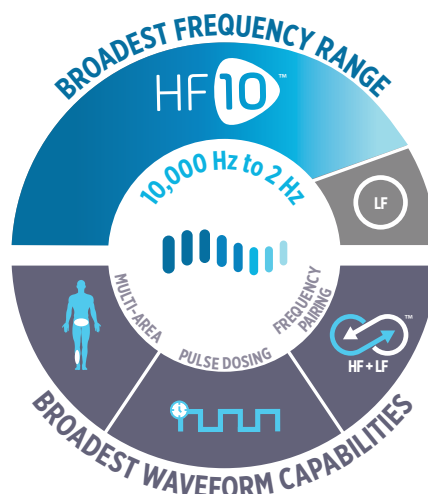




## MORE EVIDENCE IN MORE PAIN AREAS



## MORE FREQUENCY AND WAVEFORM VERSATILITY



## MORE PATIENT SUPPORT



**LEARN MORE AT NEVRO.COM**

**Rx Only:** Patient experiences with the Senza spinal cord stimulation (SCS) system vary by individual, including the amount of pain relief. The occurrence of adverse effects associated with SCS implant surgery or use also varies by patient. Please see [www.nevro.com/physicianmanuals](http://www.nevro.com/physicianmanuals) for complete safety information. **Indications for Use:** The Senza spinal cord stimulation system is an aid in the management of chronic intractable pain of the trunk and/or limbs, including unilateral or bilateral pain associated with the following: failed back surgery syndrome, intractable low back pain and leg pain. **Contraindications:** These include patients not fit for surgery. **Warnings/Precautions:** There are warnings or precautions against or regarding: Senza use in patients who are or may become pregnant; patients undergoing diathermy or with other active implanted devices, or those undergoing CT scans, ultrasound or other procedures, among others. **Adverse Effects:** Senza is implanted surgically, so surgical complications are possible, such as infection, pain, bleeding and, very rarely, paralysis or death. After Senza placement, potential side effects include allergy or infection, loss of pain relief, pain or uncomfortable stimulation, burns or device or component malfunction resulting in corrective surgery, lead replacement or device removal.

All Superiority and Paresthesia-free claims are supported by the Senza Summary of Safety and Effectiveness Data (SSED). Published May 8, 2015. HF10, MORE, Nevro, NevroCloud and the Nevro, HF10, Frequency Pairing logos are trademarks of Nevro Corp. ©2019 Nevro Corp. All Rights Reserved.2019074 Rev. A



# BOSTON SCIENTIFIC PORTFOLIO SIMPLIFYING PAIN MANAGEMENT

With three cutting-edge pain management solutions,  
Boston Scientific provides unmatched support for your practice.



Radiofrequency Ablation



Spinal Cord Stimulation



The Vertiflex® Procedure

**\*Superion™ Indirect Decompression System**



The Precision Montage™ MRI SCS System provides safe access to full-body MRI scans when used with specific components and exposed to the MRI environment under the defined conditions in the ImageReady MRI Full Body Guidelines for Precision Montage MRI Spinal Cord Stimulator System.

Indications for Use: The Boston Scientific Spinal Cord Stimulator Systems are indicated as an aid in the management of chronic intractable pain of the trunk and/or limbs including unilateral or bilateral pain associated with the following: failed back surgery syndrome, Complex Regional Pain Syndrome (CRPS) Types I and II, intractable low back pain and leg pain. Associated conditions and etiologies may be: radicular pain syndrome, radiculopathies resulting in pain secondary to failed back syndrome or herniated disc, epidural fibrosis, degenerative disc disease (herniated disc pain refractory to conservative and surgical interventions), arachnoiditis, multiple back surgeries. Contraindications, warnings, precautions, side effects. The SCS Systems are contraindicated for patients who: are unable to operate the SCS System, have failed trial stimulation by failing to receive effective pain relief, are poor surgical risks, or are pregnant. Refer to the Instructions for Use provided with the SCS System or ControlYourPain.com for potential adverse effects, warnings, and precautions prior to using this product. Caution: U.S. Federal law restricts this device to sale by or on the order of a physician.

The Cosman Radiofrequency Generators, associated Radiofrequency Lesion Probes and RF Cannula are indicated for use in procedures to create radiofrequency lesions for the treatment of pain or for lesioning nerve tissue for functional neurosurgical procedures. The Cosman RF Injection Electrodes are used for percutaneous nerve blocks with local anesthetic solution or for radiofrequency lesioning of peripheral nerve tissue only. Refer to the Instructions for Use provided with Cosman generators, electrodes and cannulas for potential adverse effects, warnings and precautions prior to using these products. Caution: U.S. Federal law restricts this device to sale by or on the order of a physician.

The Superion® Indirect Decompression System (IDS) is indicated to treat patients suffering from pain, numbness, and/or cramping in the legs (neurogenic intermittent claudication) secondary to a diagnosis of moderate lumbar spinal stenosis. The Superion® Interspinous Spacer is indicated for those patients with impaired physical function who experience relief in flexion from symptoms of leg/buttock/groin pain, with or without back pain, who have undergone at least 6 months of non-operative treatment. The Superion® Interspinous Spacer may be implanted at one or two adjacent lumbar levels in patients in whom operative treatment is indicated at no more than two levels, from L1 to L5. Contraindications, warnings, precautions, side effects. The Superion® Indirect Decompression System (IDS) is contraindicated for patients who: have spinal anatomy that prevent implantation of the device or cause the device to be unstable in situ (i.e., degenerative spondylolisthesis greater than grade 1), Cauda equina syndrome, or prior decompression or fusion at the index level. Refer to the Instructions for Use provided on [www.vertiflex.com](http://www.vertiflex.com) for additional Indications for Use, contraindications information and potential adverse effects, warnings, and precautions prior to using this product. Caution: U.S. Federal law restricts this device to sale by or on the order of a physician.

NM-671707-AA ©2019 by Boston Scientific Corporation or its affiliates. All rights reserved. All trademarks are property of their respective owners.

**CaISIPP 10TH ANNUAL CONFERENCE AGENDA**

October 25-27, 2019

The Resort at Squaw Creek, Squaw Valley, Lake Tahoe, CA | [www.CALSIPP.com](http://www.CALSIPP.com)

<b>Friday, October 25, 2019</b> <b>PRE-CONFERENCE CADAVER WORKSHOP</b> <b>Mobile Lab in Valet Parking Lot</b> <b>Course Directors: Vafi Salmasi, MD and Samir Sheth, MD</b>		
7:30-8:00 AM	<b>Continental Breakfast</b> *No CME credit hours available for this session	Location: Monument Peak
8:00-8:15 AM	Welcome, station overview and rotation instructions	Instructor(s)
<b>AM Rotations through the following stations</b>		
8:15-12:15PM	<b>Station 1:</b> Spinal Cord Stimulation – Thoracic Lead Placement	Jessica Jameson, MD and Kasra Amirdelfan, MD
	<b>Station 2:</b> Spinal Cord Stimulation – Cervical Lead Placement	Joseph Cabaret, MD
	<b>Station 3:</b> Spinal Cord Stimulation - Anchoring	Einar Ottestad, MD and Krishnan Chakravarthy, MD
	<b>Station 4:</b> Peripheral Nerve Stimulation (Lower Extremity)	Scott Pritzlaff, MD and Jennifer Hah, MD
	<b>Station 5:</b> Dorsal Root Ganglion Stimulation	Denis Patterson, DO and Jackie Weisbein, DO
12:15-1:15PM	<b>Lunch</b> *No CME credit hours available for this session	Location: Monument Peak
<b>PM Rotations through the following stations</b>		
1:15-5:15PM	<b>Station 6:</b> Lumbar Spinal Stenosis – Direct Decompression	Michael Leong, MD
	<b>Station 7:</b> Peripheral Nerve Stimulation (Upper Extremity)	Einar Ottestad, MD and Jennifer Hah, MD
	<b>Station 8:</b> Spinal Cord Stimulation - Surgical Techniques	Steven Falowski, MD and Lawrence Poree, MD, PhD
	<b>Station 9:</b> Lumbar Spinal Stenosis – Indirect Decompression	Ramo Naidu, MD and Samir Sheth, MD
	<b>Station 10:</b> Kyphoplasty	Ali Nairizi, MD

5:15 PM	Workshop concludes	
5:15-7:00 PM	<b>Medtronic Sponsored Reception and Innovation Product Fair</b> <i>*No CME credit hours available for this session</i>	Location: Montagna

Exhibitors are welcome to set up from 1:00-6:30PM in the Exhibit Hall - Grand Sierra Ballroom

<b>Friday, October 25, 2019</b> <b>PRE-CONFERENCE ADVANCED PRACTICE PROVIDER SESSIONS</b> <b>(Nurse Practitioners and Physician Assistants)</b> <b>Monument Peak Conference Room</b> <b>Course Directors: Lisa Kroopf, MD and Jackie Weisbein, DO</b>		
2:30-2:35PM	Welcome and Introductions	Lisa Kroopf, MD
2:35-3:00 PM	Basic Interventional Spine Techniques	Lisa Kroopf, MD
3:00-3:25 PM	Advanced Interventional Techniques: Choosing the appropriate procedure	Denis Patterson, DO
3:25-3:50 PM	Talking to Patients about advanced techniques (SCS/ITP)	Melissa Delamora, APN
3:50-4:00PM	Panel Discussion and Q&A	All Faculty
4:00-4:25PM	Troubleshooting complications ITP/SCS: An algorithmic approach	Jackie Weisbein, DO
4:25-4:50PM	Pharmaceutical Management: Multimodal pharmaceutical therapy, Tapering/Weaning opioids, Safe opioid management	Jessica Jameson, MD
4:50-5:00 PM	<b>Panel Discussion and Q&amp;A</b>	
5:15-7:00 PM	<b>Medtronic Sponsored Reception and Innovation Product Fair</b> <i>*No CME credit hours available for this session</i>	Location: Montagna

Exhibitors are welcome to set up from 1:00-6:30PM in the Exhibit Hall - Grand Sierra Ballroom

**3:30-7:30 PM - CalSIPP Board of Directors Meeting - By Invitation Only** - Location: Castle Peak

**Medtronic Presentation to the Board 3:30-4:00PM**

**Boston Scientific Presentation to the Board 4:00-4:30PM**

**Abbott Presentation to the Board 4:30-5:00PM**

**Nevro Presentation to the Board 5:00-5:30PM**

**CalSIPP closed door Board of Directors meeting 5:30-6:15PM**

**Board of Directors Dinner sponsored by Vertos 6:15-7:30PM**

## Saturday, October 26, 2019

### PLENARY SESSIONS

Location: Alpine Ballroom

<b>Breakfast Symposia</b>		
6:45-7:45 AM	<b>The Next Generation Platform from Nevro: A New System for Maximizing Versatility in SCS</b> <b>Presented by: Kasra Amirdelfan, MD and Jessica Jameson, MD</b> <b>Sponsored by Nevro, Platinum Sponsor</b> <i>*No CME credit hours available for this session</i>	Location: Montagna
	<b>Plenary I: Spinal Neurostimulation</b>	<b>Faculty</b>
8:00-8:10 AM	Opening Remarks	Eric Lee, MD, Ramo Naidu, MD
8:10-8:15 AM	Welcome	Jason Pope, MD
8:15-8:30 AM	State of Affairs in Neurostimulation	Standiford Helm, MD
8:30-8:45 AM	Waveform Advancements in Neurostimulation	Robert Levy, MD, PhD
8:45-9:00 AM	DRG Current Applications and Future Directions	Timothy Deer, MD
9:00-9:15 AM	Novel Targets	Steven Falowski, MD
9:15-9:30 AM	New Frontiers	Lawrence Poree, MD, MPH, PhD
9:30-9:45 AM	Panel: Digesting the Data and Putting the Pieces Together	Moderator: Kasra Amirdelfan, MD
9:45-10:15 AM	<b>Break with Exhibits and Abstract Poster Viewing</b> <i>*No CME credit hours available for this session</i>	Location: Grand Sierra Ballroom
	<b>Plenary II: Intrathecal Therapy and Pediatric Pain</b>	<b>Faculty</b>
10:15-10:20 AM	Welcome	Lawrence Poree, MD, MPH, PhD
10:20-10:35 AM	PACC Review	Jason Pope, MD
10:35-10:50 AM	Incorporating Intrathecal Pump into Practice: Patient Selection	Lawrence Poree, MD, MPH, PhD
10:50-11:05 AM	Medication Selection and Safety	Anjum Bux, MD
11:05-11:20 AM	Pediatric Pain	Shalini Shah, MD
	<b>CalSIPP in Action: Updates</b>	<b>Faculty</b>
11:20-11:40 AM	Special Session: CalSIPP UPDATES CalSIPP in Action, What your Society is doing	Panel: Krishnan Chakravarthy, MD, PhD, Michael Leong, MD, Lawrence Poree, MD, MPH, PhD
11:40-12:10 PM	Keynote Presentation: An Update HHS Task Force; CPG	Vanila Singh, MD, MACM Chief Medical Officer HHS

Saturday, October 26, 2019 cont'd

12:10-1:10 PM	<p><b>Luncheon Symposia</b>  <b>Boston Scientific: Expanding your treatment options</b>  <b>Presented by: Jackie Weisbein, DO, Ramo Naidu, MD and Amitbah Goswami, DO, MPH</b>  <b>Sponsored by Boston Scientific, Diamond Sponsor</b>  <i>*No CME credit hours available for this session</i></p>	Location: Montagna
	<b>Plenary III: Peripheral Nerve Stimulation</b>	<b>Faculty</b>
1:10-1:15 PM	Welcome	Ramo Naidu, MD
1:15-1:25 PM	Concepts of PNS	Ramo Naidu, MD
1:25-1:35 PM	Novel Placement: Real Cases	Eric Lee, MD
1:35-1:45 PM	Clinical Data of Peripheral Nerve Stimulation	Einar Ottestad, MD
1:45-1:50 PM	Closing	Ramo Naidu, MD
1:50-2:30 PM	<p><b>Break with Exhibits and Abstract Poster Viewing</b>  <i>*No CME credit hours available for this session</i></p>	Location: Grand Sierra Ballroom
	<b>Plenary IV: Regional Interventional Care: Regenerative Medicine to Spinal Stenosis, and the Mind</b>	<b>Faculty</b>
2:30-2:35 PM	Welcome	Eric Lee, MD
2:35-2:50 PM	Current State of Regenerative Medicine	Tracy Beth Hoeg, MD, PhD
2:50-3:05 PM	Innovations in Radiofrequency Ablation	Vafi Salmasi, MD
3:05-3:12 PM	Advancements in Direct Decompression	Denis Patterson, DO
3:12-3:20PM	Advancements in Indirect Decompression	Jonathan Carlson, MD
3:20-3:35 PM	Mindful Meditation for Pain	Ruben Kalra, MD
3:35-3:40PM	Closing	Eric Lee, MD
3:40-4:00 PM	<p><b>Break with Exhibits and Abstract Poster Viewing</b>  <i>*No CME credit hours available for this session</i></p>	Location: Grand Sierra Ballroom
	<b>Plenary V: Patient Condition – Tying it all Together</b>	<b>Faculty</b>
		Moderators: Ramo Naidu, MD, Jonathon Carlson, MD
4:00-4:05 PM	Knee Primary Osteoarthritis Introduction	Ramo Naidu, MD
4:05-4:10 PM	Intra-articular therapeutics: Steroids, Hyaluronic Acid, and CNTX-4975	Jennifer Hah, MD
4:10-4:15 PM	Regenerative Medicine	Tracy Beth Hoeg, MD, PhD
4:15-4:20 PM	Genicular Radiofrequency Ablation	Lisa Kroopf, MD



**Saturday, October 26, 2019 cont'd**

4:20-4:25 PM	Femoral/Saphenous/Sciatic/Genicular Peripheral Nerve Stimulation	Scott Pritzlaff, MD
4:25-4:30 PM	Dorsal Root Ganglion Stimulation	Ramo Naidu, MD
4:30-4:35 PM	Neurogenic Claudication due to Lumbar Stenosis Introduction	Moderator: Jonathan Carlson, MD
4:35-4:40 PM	Epidural Steroid Injection	Vafi Salmasi, MD
4:40-4:45 PM	Indirect Decompressive Methods	Jonathan Carlson, MD
4:45-4:50 PM	Minimally Invasive Spinal Decompression	Josh Prager, MD
4:50-4:55 PM	Dorsal Column Stimulation	Stanley Golovac, MD
4:55-5:00 PM	Surgical Decompression	Steven Falowski, MD
<b>5:00-5:30 PM</b>	<b>CalSIPP State Society Meeting</b>	<b>Location: Alpine Ballroom</b>
5:00-5:20 PM	President's Address	Jason Pope, MD
5:20-5:30 PM	Achievement Award	Jason Pope, MD
<b>5:30-6:00 PM</b>	<b>Arizona State Society Meeting</b>	<b>Location: Monument Peak</b>
6:00-7:00 PM	<b>Wine Reception with Exhibits and Poster Presentation</b>	Location: Grand Sierra Ballroom
7:00-8:00 PM	<b>Dinner Symposia</b> <b>Lower the Dose, Raise your Expectations</b> <b>Presented by: Timothy Deer, MD, Steven Falowski, MD, Pankaj Mehta, MD, and Krishnan ,Chakravarthy, MD, PhD</b> <b>Sponsored by Abbott, Platinum Sponsor</b> <b>*No CME credit hours available for this session</b>	Location: Montagna
8:00-9:30 PM	<b>Faculty dinner</b> <b>Sponsored by Nalu</b>	Offsite by invitation only

**Exhibitors are welcome to break down after the conclusion of the wine reception in Grand Sierra Ballroom at 7:00PM**



**Sunday, October 27, 2019**  
**PLENARY SESSIONS**  
**Location: Alpine Ballroom**

8:00-8:30 AM	<b>Continental Breakfast</b> <i>*No CME credit hours available for this session</i>	Location: Montagna
	<b>Plenary VI: Scientific Research Landmark Data Presentation</b>	<b>Faculty</b>
8:30-8:35 AM	Welcome	Lawrence Poree, MD, MPH, PhD, Krishnan Chakravarthy, MD, PhD
8:35-8:55 AM	Abstract #1 Top Non-Industry Ranked Abstract Safety and Efficacy of Multivendor Spinal Cord Stimulation Trialing	Patrick Buchanan, MD
8:55-9:10 AM	Abstract #2 Top Industry Ranked Abstract Evoke Study: Therapeutic Window for SCS Using Evoked Compound Action Potentials (ECAPs)	Lawrence Poree, MD, MPH, PhD on behalf of Evoke Study Investigators
9:10-9:25 AM	Abstract #3 Top Industry Ranked Abstract Bilateral Intra-articular CNTX-4975 Injection for Management of Painful Knee Osteoarthritis: Efficacy Results From a 6-Week Study	Randall Stevens, MD
9:25-9:40 AM	Discussion and winners	Lawrence Poree, MD, MPH, PhD, Krishnan Chakravarthy, MD, PhD
9:40-9:55 AM	Findings from the EMBRACE Study	Nathan Miller, MD
9:55-10:20AM	Break	
	<b>Plenary VII: Advocacy and Policy</b>	<b>Faculty</b>
10:20-10:25 AM	Welcome	Jackie Weisbein, DO
10:25-10:40 AM	Updates on Opioids and Medical Marijuana	Jolene Smith, DO
10:40-10:55 AM	California Regulations	Shalini Shah, MD
10:55-11:10 AM	Policy	Michael Leong, MD
	<b>Plenary VII: Practice Guidelines</b>	
11:10-11:15 AM	Welcome	Jackie Weisbein, DO
11:15-11:30 AM	Increasing Your Presence Marketing Pearls	Denis Patterson, DO
11:30-11:45 PM	Coding and Reimbursement	Ali Nairizi, MD
11:45-12:00PM	Meeting Adjournment/Closing Remarks	Eric Lee, MD, Ramo Naidu, MD, Jason Pope, MD

**CaSIPP would like to thank the following sponsors and exhibitors:**

**DIAMOND SPONSOR**



**PLATINUM SPONSORS**



**SILVER SPONSOR**



**BRONZE SPONSORS**



**LAB SPONSORS**



**MEETING BAG SPONSOR**



# EXHIBITORS



PATIENT EXPERIENCE  
MANAGEMENT



# Introducing Pain Points of View™



## Supporting the Pain Community With a Community of Support

**PainPointsofView.com** offers resources and pain management information for you and your patients, including:



### Resources to Help You Help Your Patients

View an informative video about risk reduction strategies and download tools to assist with provider-patient communications



### Personal Views on Pain

Featuring a selection of personal accounts from individuals who deal with pain every day



### Viewpoints From Government Agencies

Links to pain management guidelines and recommendations, including the CDC Guideline for Prescribing Opioids for Chronic Pain



### Organizations for Pain Professionals

Learn about the societies that focus on the medical practice of pain management and connect with professional organizations that advocate for patients and professionals

This program is brought to you by Collegium Pharmaceutical, Inc. Collegium is committed to being the leader in responsible pain management.

PP-CORP-US-0170 05-19

# mild

For Lumbar Spinal Stenosis

- Removes a root cause of neurogenic claudication
- Clinically effective in patients with multifactorial etiologies<sup>1</sup>
- Safest decompression procedure<sup>2</sup>

When ESIs fall short, the next step is

To learn more, visit [www.Vertosmed.com](http://www.Vertosmed.com)

The complication rate for the mild<sup>®</sup> procedure is low. As with most surgical procedures, serious adverse events can occur. This procedure is not for everyone. Physicians should discuss potential risks with patients. For complete information regarding indications for use, warnings, precautions, and methods of use, please reference the devices' Instructions for Use at [www.vertosmed.com](http://www.vertosmed.com).

1. Staats PS, Chafin TB, Golovac S, et al. Long-term safety and efficacy of minimally invasive lumbar decompression procedure for the treatment of lumbar spinal stenosis with neurogenic claudication: 2-year results of MIDAS ENCORE. *Reg Anesth Pain Med.* 2018;43:789-794.
2. Based on clinical data within mild<sup>®</sup> Comparative Safety vs. Other Decompression Options chart; references located on [www.vertosmed.com/physician/](http://www.vertosmed.com/physician/) along with chart.



**HartleyMedical is the nation's leading provider of the highest quality sterile pharmaceuticals for intra-spinal infusion therapy patients.**



Visit the Knowledge Center, your portal to pain management resources, at [www.HartleyMedical.com/KnowledgeCenter](http://www.HartleyMedical.com/KnowledgeCenter)

Like us on:   
 Subscribe:   
 Follow us:

Phone: 888.671.2888   
 Facsimile: 800.648.8550   
 Questions@HartleyMedical.com

113 W. Victoria St   
 Long Beach, CA 90605   
[www.hartleymedical.com](http://www.hartleymedical.com)

The Vertiflex® Procedure is a clinically proven, minimally invasive solution designed to deliver long-term relief for the pain associated with lumbar spinal stenosis (LSS).



**85%** DROP in Opioid Use<sup>1</sup>

**75%** REDUCTION in Leg Pain<sup>2</sup>

**81%** physical function IMPROVEMENT<sup>2</sup>

**90%** Patient SATISFACTION RATE<sup>2</sup>

*Clinical data shows durability and efficacy at 5 years post-procedure among study completers.*

Visit us at booth #1A to learn more about the Vertiflex® Procedure.

1. Nunley, et al. Journal of Pain Research. 2018;11 2943 – 2948. | 2. Nunley, et al. Clinical Interventions in Aging. 2017;12 1409 – 1417.

Indications for Use: The Superior® Indirect Decompression System (IDS) is indicated to treat patients suffering from pain, numbness, and/or cramping in the legs (neurogenic intermittent claudication) secondary to a diagnosis of moderate lumbar spinal stenosis. The Superior® Interspinous Spacer is indicated for those patients with impaired physical function who experience relief in flexion from symptoms of leg/buttock/groin pain, with or without back pain, who have undergone at least 6 months of non-operative treatment. The Superior® Interspinous Spacer may be implanted at one or two adjacent lumbar levels in patients in whom operative treatment is indicated at no more than two levels, from L1 to L5. Contraindications, warnings, precautions, side effects. The Superior® Indirect Decompression System (IDS) is contraindicated for patients who: have spinal anatomy that prevent implantation of the device or cause the device to be unstable in situ (i.e., degenerative spondylolisthesis greater than grade 1), Cauda equina syndrome, or prior decompression or fusion at the index level. Refer to the Instructions for Use provided on [www.vertiflex.com](http://www.vertiflex.com) for additional Indications for Use, contraindications information and potential adverse effects, warnings, and precautions prior to using this product. Caution: U.S. Federal law restricts this device to sale by or on the order of a physician.



## SPONSOR & EXHIBITOR BIOGRAPHIES

### **ABBOTT**

Abbott is a global healthcare leader that helps people live more fully at all stages of life. Our portfolio of life-changing technologies spans the spectrum of healthcare, with leading businesses and products in diagnostics, medical devices, nutritionals and branded generic medicines. Our 103,000 colleagues serve people in more than 160 countries.

### **AIS**

AIS™ HealthCare provides sterile, patient-specific intrathecal pain pump medications for the management of chronic pain. AIS 503A pharmacy services are supported with Advanced Nursing Solutions, providing physicians and patients with in-home pump refills, and a patient-centric Care Coordination Center that assists patients in achieving self-management goals and optimal wellness.

### **AVANOS**

Avanos is a medical device company dedicated to challenging the status quo, every day, in everything we do. All with the aim of getting patients back to the things that matter.

### **BASIC HOME INFUSION**

Basic Home Infusion (BHI) is a national home infusion company that provides a better quality of life through effective pump management. Specializing only in intrathecal therapies, BHI provides refills and management of implanted pumps for both specialty and chronic pain.

### **BIONESS**

StimRouter is the first FDA approved peripheral nerve stimulation (PNS) system designed to treat chronic pain of a peripheral nerve origin, excluding pain in the craniofacial region. StimRouter is a minimally invasive, reversible, permanent solution to treat chronic pain in locations all over the body."The tiny lead is implanted on the target nerve during a simple, 15 minute procedure while the patient is awake using only local anesthesia

### **BOSTON SCIENTIFIC**

Investing in innovative products, clinical initiatives, and world-class service, Boston Scientific is committed to leading the way in spinal cord stimulation, deep brain stimulation and radio frequency ablation by providing better pain relief to a broad range of patients

Boston Scientific, 25155 Rye Canyon Loop, Valencia, CA 91355 USA, 661.949.4000

[www.wavewriter.com](http://www.wavewriter.com)

### **COLLEGIUM PHARMACEUTICAL**

Collegium Pharmaceutical is a specialty pharmaceutical company committed to being the leader in responsible pain management by developing and commercializing innovative and differentiated products for people suffering from pain.

### **CornerLoc™**

CornerLoc™ SI Joint Fusion System has been specifically designed to achieve optimal stabilization and fusion potential with a simple, safe, posterior approach. CornerLoc's state of the art cortical graft, together with our DBM sponge, is an effective, safe, and simple procedure to reduce pain and instability within the sacroiliac joint.

## SPONSOR & EXHIBITOR BIOGRAPHIES

### **EmpathIQ**

EmpathIQ is a software company dedicated to making your practice known in your community. We manage your online presence so that new patients can find you, learn about your services and give them the confidence to visit your office. Online reviews will make or break the future of your business, trust EmpathIQ with your online presence.

### **EPIMED**

Epimed is a development, design, manufacturing and distribution company focusing on standard and unique solutions for physicians with an emphasis on outcomes and safety. We've been creating specialty devices in pain management for over 40 years. Our products include site specific Catheters, epidural needles (Coudé® and Blunt) and a full line of RF products.

### **FLOWONIX**

Flowonix Medical is dedicated to working with healthcare professionals to provide an optimal solution for the treatment of their patients' chronic pain. We are proud to be a leader in healthcare innovation and continue to advance medical technology to help patients return to normal lives. Please visit [www.flowonix.com](http://www.flowonix.com).

### **HARTLEY MEDICAL**

Hartley Medical is the nation's leading provider of the highest quality sterile pharmaceuticals for intra-spinal, infusion therapy patients. Our world-class pharmacy is primarily dedicated to the custom compounding of medications for the treatment of pain and movement disorders. Hartley Medical – Setting the Standard™

### **KARUNA LABS**

Karuna Labs is a software company that builds immersive virtual reality technology designed to address chronic pain and promote rehabilitation.

### **KIMERA LABS**

Kimera Labs Inc. is a biotech laboratory that develops perinatal exosome products for research and therapeutic purposes. Since 2012, Kimera Labs, a regenerative medicine-focused biotechnology company founded by a published scientist, has developed therapies that harness the power of stem cells, without the use of the cells themselves. By providing regenerative cellular signals under the control of messenger and micro RNA, we believe it is possible to instantiate healing processes that can benefit patients of any age.

### **MEDTRONIC**

As a global leader in medical technology, services and solutions, Medtronic improves the lives and health of millions of people each year. We use our deep clinical, therapeutic, and economic expertise to address the complex challenges faced by healthcare systems today. Let's take healthcare Further, Together. Learn more at [Medtronic.com](http://Medtronic.com)



## SPONSOR & EXHIBITOR BIOGRAPHIES

### **NALU MEDICAL**

Nalu Medical, Inc. is a privately held medical device start-up company. Our team of seasoned entrepreneurs, engineers and scientists are developing the next generation of medical devices. Our novel devices will address a number of poorly treated clinical conditions. Our company is located in Carlsbad, California with a vision to modernize and improve the technology in medical devices, thus improving lives of people.

### **NATIONAL LABS**

NATIONAL LABS is an industry-leading clinical reference laboratory providing advanced high-complexity urine drug testing. Value of services include: Unique Test Panels, Customized Reports and Patient-friendly Billing. NATIONAL LABS is positioned to meet all your medication monitoring needs and become a committed partner in your pain management practice.

### **NEVRO**

Nevro is a global medical device company focused on providing innovative therapies that improve the quality of life of patients suffering from chronic pain. Nevro's Senza® spinal cord stimulation system is an evidence-based neuromodulation platform developed for treating chronic pain and the only SCS system that delivers Nevro's proprietary HF10™ therapy.

### **NUVECTRA®**

Nuvectra® is a neuromodulation company committed to helping physicians improve the lives of people with chronic conditions. Nuvectra's Algovita® SCS system is approved in the United States and Europe for the treatment of chronic intractable pain of the trunk and/or limbs. To learn more about Nuvectra and our technologies, visit [www.nuvectramed.com](http://www.nuvectramed.com).

### **PainTEQ™**

PainTEQ™ is a Tampa based medical device manufacturer that focuses on providing breakthrough, FDA approved products that help patients eliminate chronic pain and provide a better quality of life. With our featured product, LinQ™ for SI Joint Dysfunction we deliver an effective, minimally invasive solution for both patients and physicians.

### **PENTEC HEALTH**

Pentec Health, Inc. is a Joint Commission accredited specialty pharmacy and infusion provider that specializes in providing comprehensive care for patients with implanted pumps treating severe pain and/or spasticity. Our proprietary electronic communications platform ensures all disciplines remain informed and focused on improving patient outcomes.

### **PIRAMAL CRITICAL CARE**

With nearly 20 years in the healthcare industry, Piramal Critical Care, (PCC) is committed to delivering critical care solutions to patients and healthcare providers worldwide. PCC is leading the way in intrathecal medicine with offerings for pain and spasticity management while representing a culture built on collaboration, innovation, and service.

## SPONSOR & EXHIBITOR BIOGRAPHIES

### **SPR**

The SPRINT® Peripheral Nerve Stimulation (PNS) System by SPR Therapeutics™ provides a non-narcotic, reversible, safe, and effective therapy intended to be used early in the care continuum. The SPRINT System is the only percutaneous PNS System cleared by the FDA and indicated for up to 60 days in the back and/or extremities and is the industry's only dual lead capable PNS platform. The SPRINT PNS System is supported by more than 20 peer-reviewed publications. MOVE FORWARD FASTER!

### **STIMWAVE**

Stimwave is debuting the FDA-approved Freedom SCS/DRG and StimQ PNS systems for Wireless Pain Relief. These systems utilize the world's smallest wireless neurostimulator and leverages patented advancements in micro-technology. The Stimwave platform is revolutionizing the industry by providing patients with no implantable IPG as well as sleek easily wearable options that give patients and clinicians affordable choices for pain management. Visit [www.stimwave.com](http://www.stimwave.com).

### **TerSera THERAPEUTICS**

TerSera Therapeutics is a specialty pharmaceutical company headquartered in suburban Chicago with a focus on select therapeutic areas, including neurology. Our mission is to develop products which truly make a difference for patients. Our focus is to bring intelligent solutions to our customers that go beyond the therapy itself in order to provide improved patient outcomes. We look forward to meeting you!

### **VERTIFLEX**

Vertiflex is a privately held medical device company dedicated to the advancement of minimally invasive solutions for the treatment of lumbar spinal stenosis. Vertiflex has developed an evidence-based therapy that fills the gap in the stenosis treatment continuum between conservative care and traditional spine surgery. For more information, visit [www.vertiflex.com](http://www.vertiflex.com)

### **VERTOS MEDICAL INC.**

Vertos Medical's proprietary technologies include mild®, which offers a safe, outpatient, minimally invasive, fluoroscopically guided therapeutic LSS treatment that requires no general anesthesia, no implants, and no stitches. Clinical trials show that mild® can help LSS patients stand longer and walk farther with less pain, and no major device-related complications have been reported. For more information, visit [www.Vertosmed.com](http://www.Vertosmed.com)

### **WellBrain**

WellBrain provides physicians with electronic psychological testing services for risk stratification and personalized mindfulness therapies for in-office and at-home use. Developed by practicing pain physicians, a former Buddhist monk and an MIT neuroscientist, WellBrain represents a paradigm shift in the assessment and treatment of patients with chronic pain, anxiety, and depression.

### **ZIEHM IMAGING**

Ziehm Imaging specializes in developing, manufacturing, and worldwide marketing of mobile C-arm X-ray imaging solutions for interventional operating room procedures. Through close cooperation with renowned universities, research centers, and hospitals, Ziehm has developed technologies known for their outstanding versatility and image quality for a wide variety of medical applications.

# INTELLIS CHANGES THE CONVERSATION

The Intellis™ platform overcomes the limitations of current SCS systems.

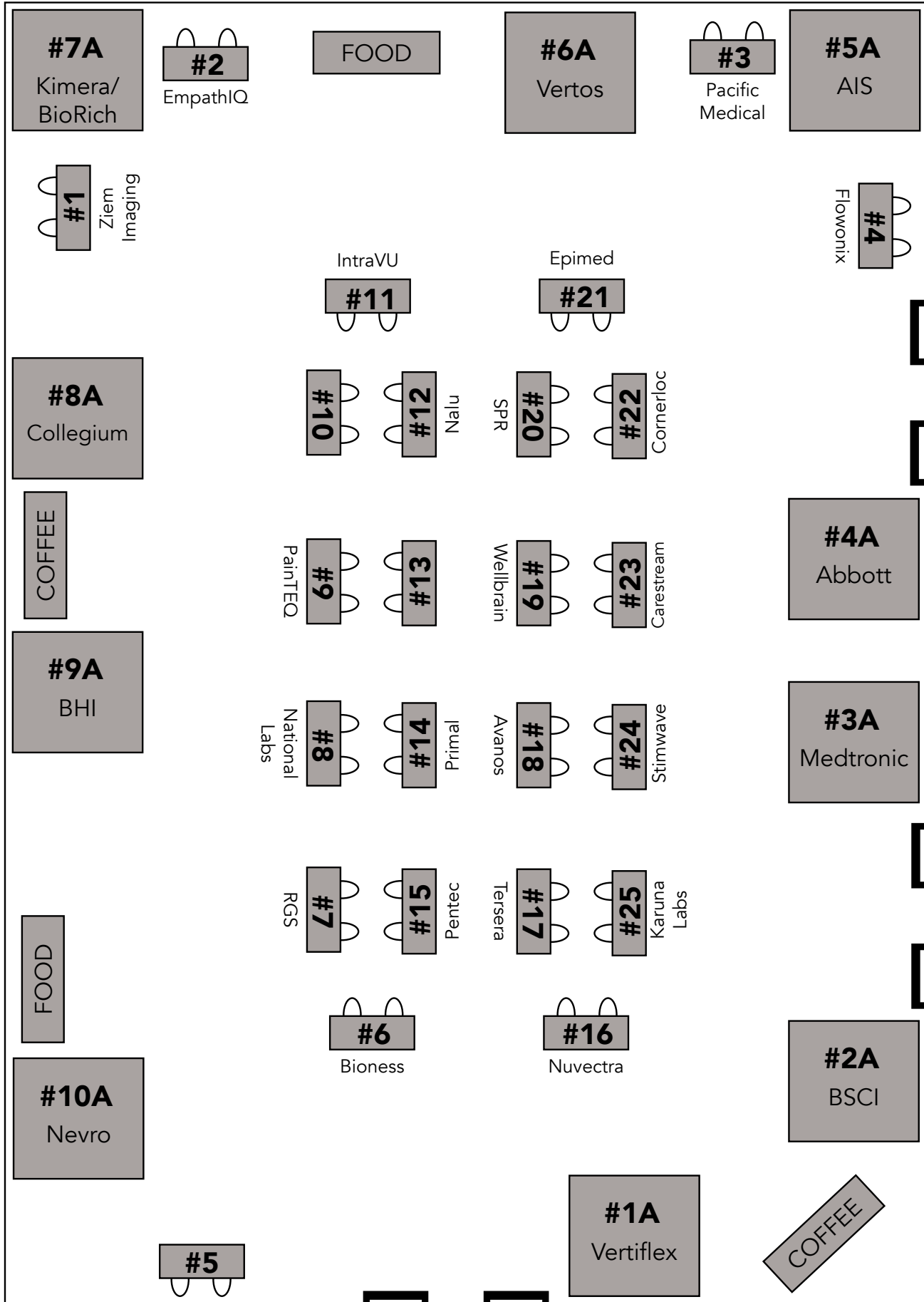


Stop by our booth for  
more information.

**Medtronic**  
Further. Together

# CaISIPP 2019

## EXHIBITOR FLOOR PLAN





**BE BOLD.**

EMPOWER YOUR PATIENTS TO  
LIVE XR.

**XR**  
PROCLAIM™



**INTRODUCING THE PROCLAIM™ XR  
RECHARGE-FREE SCS SYSTEM.**

GIVE YOUR PATIENTS SUPERIOR\* PAIN RELIEF  
WITH A BATTERY THAT LASTS UP TO 10 YEARS  
AT LOW DOSE SETTINGS\*\* WITHOUT THE  
HASSLES OF RECHARGING.

**LEARN MORE AT  
THE ABBOTT BOOTH.**



\*When compared to traditional tonic stimulation.

\*\*Up to 10 years of battery longevity at the lowest dose setting: 0.6mA, 500 Ohms, duty cycle 30s on/360s off. NOTE: In neurostimulation therapy, 'dose' refers to the delivery of a quantity of energy to tissue. Safety comparisons and specific dose-response curves for each dosage have not been clinically established. Refer to the IFU for additional information. Hassle-free means recharge-free.

**Abbott**  
One St. Jude Medical Dr., St. Paul, MN 55117 USA  
Tel: 1 651 756 2000  
Neuromodulation.Abbott

**Rx Only**  
**Brief Summary:** Prior to using these devices, please review the Instructions for Use for a complete listing of indications, contraindications, warnings, precautions, potential adverse events and directions for use.

™ Indicates a trademark of the Abbott group of companies.  
© 2019 Abbott. All Rights Reserved.  
34740 MAT-1900173 v1.0 | Item approved for global use.

# NOTES

# NOTES

# SAVE THE DATE!

**CalSIPP** | California Society of  
Interventional Pain Physicians

## 11TH ANNUAL CONFERENCE

**OCTOBER 16-18, 2020**  
**HOTEL DEL CORONADO | [WWW.CALSIPP.COM](http://WWW.CALSIPP.COM)**

